

## FEATURE

1. Construction : STN/FSTN LCD, Bezel, Heat Seal, Zebra and PCB.
2. Optional LED or EL back-light.
3. Controller : LC7981.
4. Besides +5V for logic circuit, -10V is needed for LCD driving.  
(Optional DC/DC Converter)
5. Normal / Extended temperature type.

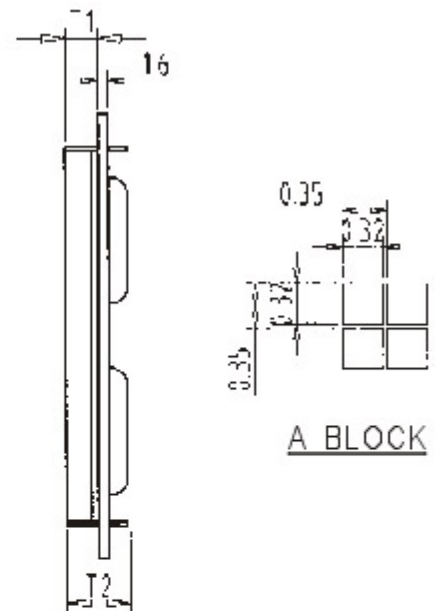
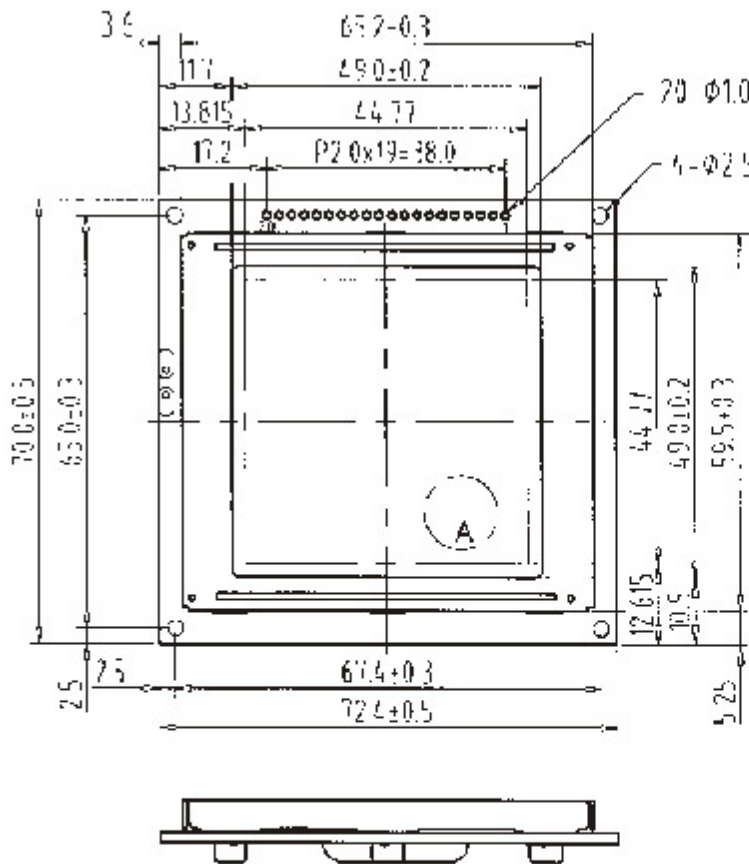
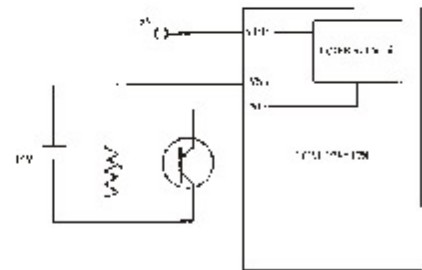
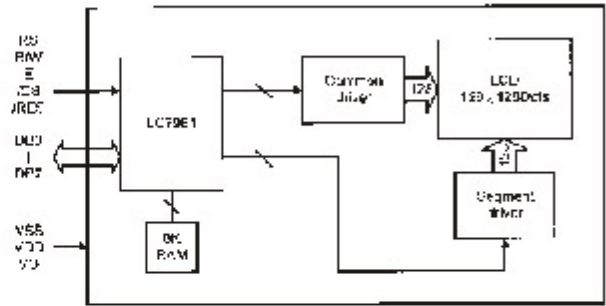
## ELECTRICAL CHARACTERISTICS

Item	Symbol	Condition	Typ. Value	Unit.
LCD Driving Voltage	VDD-VO	25°C	17.6	V
Supply Current	IDD	VDD=5.0V	5.0	mA

## INTERFACE

1	2	3	4	5	6	7	8	9	10
DB0	DB1	DB2	DB3	DB4	DB5	DB6	DB7	RS	R/W
11	12	13	14	15	16	17	18	19	20
E	/CS	/RES	VO	VDD	VSS	NC	NC	LEDA	LEDK

## BLOCK DIAGRAM & POWER SUPPLY



### THICKNESS:

VERSION	T1	T2
EL & NO BACKLIGHT	5.0 ± 0.3	10.0Max.
LED BACKLIGHT	10.0 ± 0.3	15.0Max.